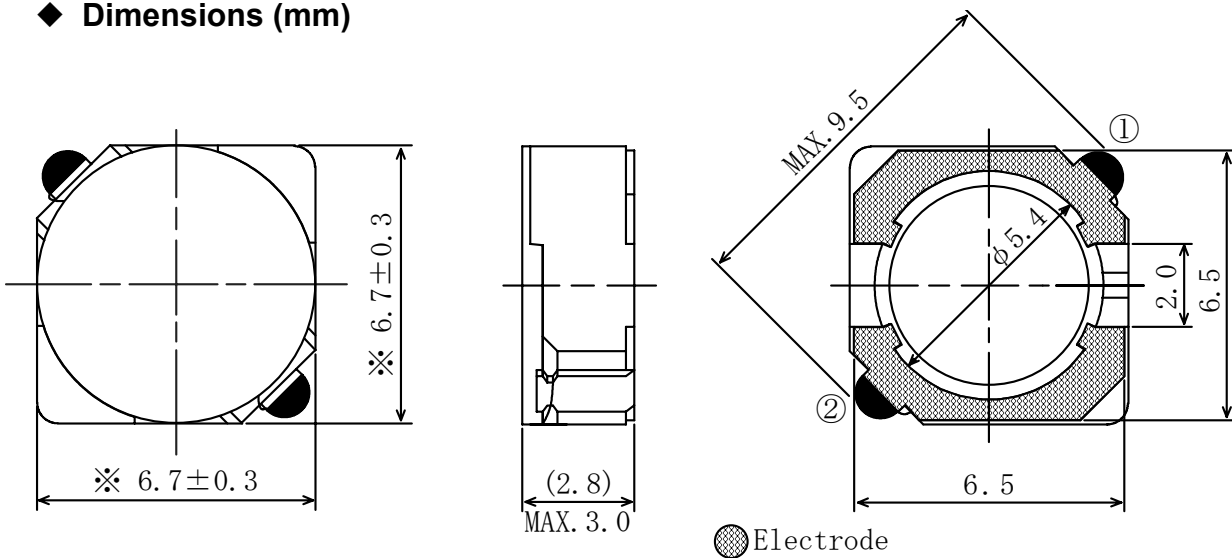
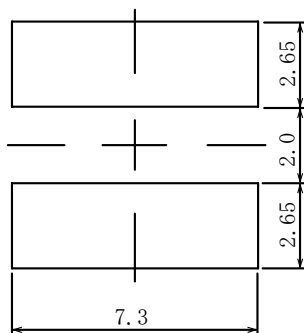


**Type: CDRH6D28**
**◆ Product Description**

- 7.0×7.0mm Max.(L×W) , 3.0mm Max. Height.
- Inductance range: 3.0~100 μ H
- Rated current range: 0.54~3.0A
- In addition to the standards versions shown here, custom inductors are also available to meet your exact requirements.


**◆ Feature**

- Magnetically shielded construction.
- Ideally used in MP3, PDA, HDD, DSC/DVC, Notebook PC etc as DC-DC Converter inductors.
- RoHS Compliance.

**◆ Dimensions (mm)**

**◆ Land Pattern (mm)**


**Type: CDRH6D28**
**◆ Specification**

| Part Name<br>※   | Stamp | Inductance<br>[Within]<br>10kHz/1V | D.C.R.(Ω)<br>Max.(Typ.)<br>(at 20°C) | Rated Current<br>(A) ※1 |
|------------------|-------|------------------------------------|--------------------------------------|-------------------------|
| CDRH6D28NP-3R0N□ | 3R0   | 3.0 μH ± 30%                       | 24m (18m)                            | 3.00                    |
| CDRH6D28NP-3R9N□ | 3R9   | 3.9 μH ± 30%                       | 27m (20m)                            | 2.60                    |
| CDRH6D28NP-5R0N□ | 5R0   | 5.0 μH ± 30%                       | 31m (23m)                            | 2.40                    |
| CDRH6D28NP-6R0N□ | 6R0   | 6.0 μH ± 30%                       | 35m (26m)                            | 2.25                    |
| CDRH6D28NP-7R3N□ | 7R3   | 7.3 μH ± 30%                       | 54m (40m)                            | 2.10                    |
| CDRH6D28NP-8R6N□ | 8R6   | 8.6 μH ± 30%                       | 58m (43m)                            | 1.85                    |
| CDRH6D28NP-100N□ | 100   | 10 μH ± 30%                        | 65m (48m)                            | 1.70                    |
| CDRH6D28NP-120N□ | 120   | 12 μH ± 30%                        | 70m (52m)                            | 1.55                    |
| CDRH6D28NP-150N□ | 150   | 15 μH ± 30%                        | 84m (62m)                            | 1.40                    |
| CDRH6D28NP-180N□ | 180   | 18 μH ± 30%                        | 95m (70m)                            | 1.32                    |
| CDRH6D28NP-220N□ | 220   | 22 μH ± 30%                        | 128m (95m)                           | 1.20                    |
| CDRH6D28NP-270N□ | 270   | 27 μH ± 30%                        | 142m(105m)                           | 1.05                    |
| CDRH6D28NP-330N□ | 330   | 33 μH ± 30%                        | 165m(122m)                           | 0.97                    |
| CDRH6D28NP-390N□ | 390   | 39 μH ± 30%                        | 210m(156m)                           | 0.86                    |
| CDRH6D28NP-470N□ | 470   | 47 μH ± 30%                        | 238m(176m)                           | 0.80                    |
| CDRH6D28NP-560N□ | 560   | 56 μH ± 30%                        | 277m(205m)                           | 0.73                    |
| CDRH6D28NP-680N□ | 680   | 68 μH ± 30%                        | 304m(225m)                           | 0.65                    |
| CDRH6D28NP-820N□ | 820   | 82 μH ± 30%                        | 390m(290m)                           | 0.60                    |
| CDRH6D28NP-101N□ | 101   | 100 μH ± 30%                       | 535m(397m)                           | 0.54                    |

**※Description Of Part Name**

CDRH6D28NP-3R0N□

|   |   |              |
|---|---|--------------|
| □ | B | Box          |
| □ | C | Carrier Tane |

※1 Rated current: The DC current at which the inductance decreases to 65% of it's nominal value or when Δt=30°C, whichever is lower(Ta=20°C).